

4

3

2

1

D

D

C

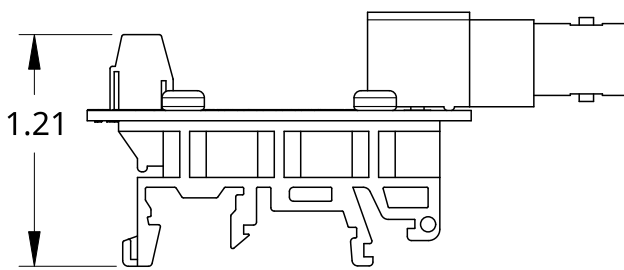
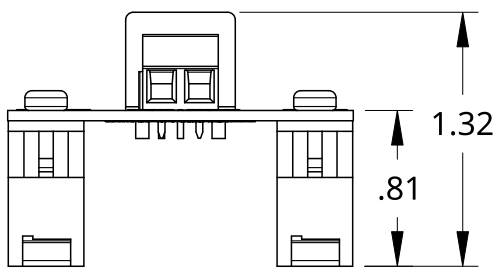
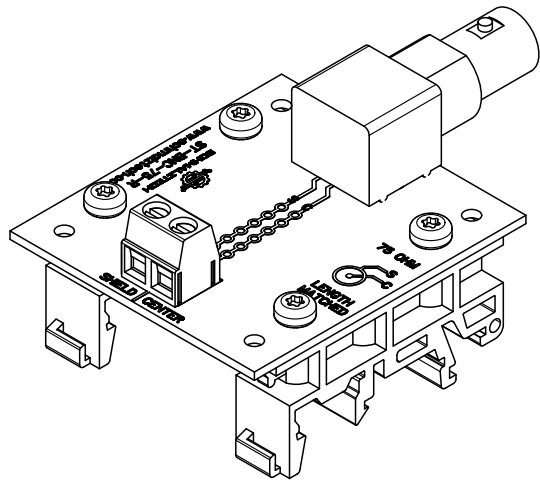
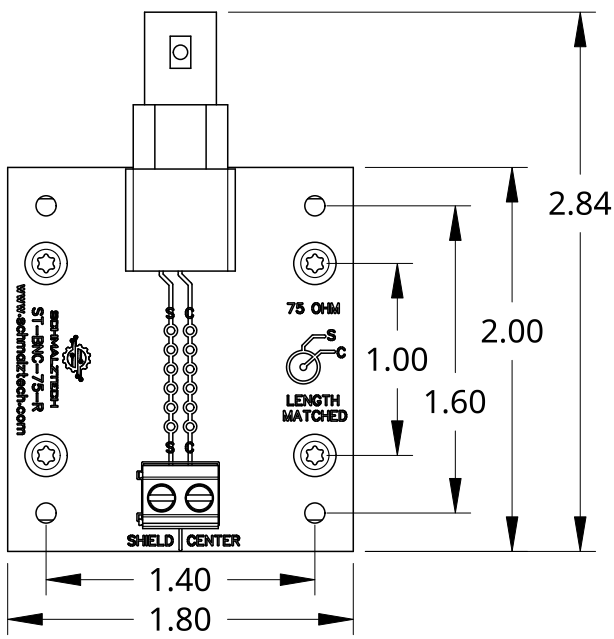
C


B

B

A

A



 SCHMALZTECH		TITLE		ST-BNC-75-R-DIN
		DESCRIPTION		75 OHM BNC BREAKOUT BOARD W/ DIN CLIPS
PHONE: (844) 399-9213	EMAIL: sales@schmalztech.com	WEB: www.schmalztech.com	SIZE	DWG NO.
			A	ST-BNC-75-R-DIN
			UNITS	DATE
			INCH	08/30/2024
			SHEET	REV.
			1 of 1	0

4

3

2

1