

4

3

2

1

D

D

C

C

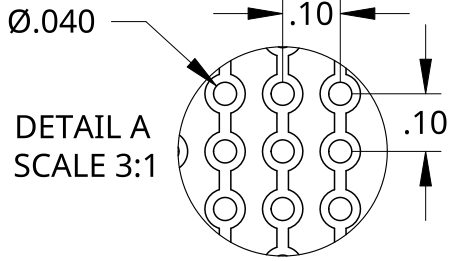
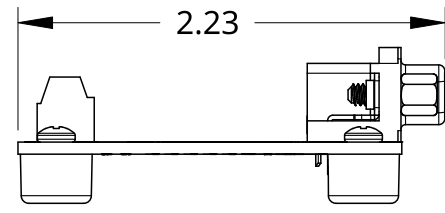
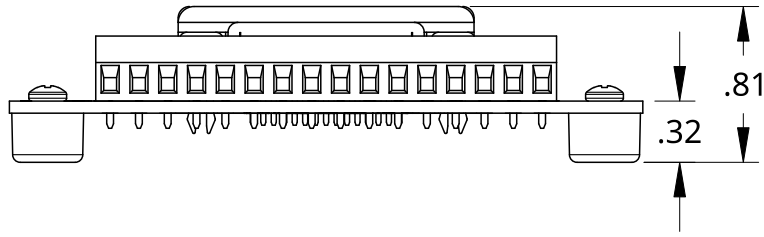
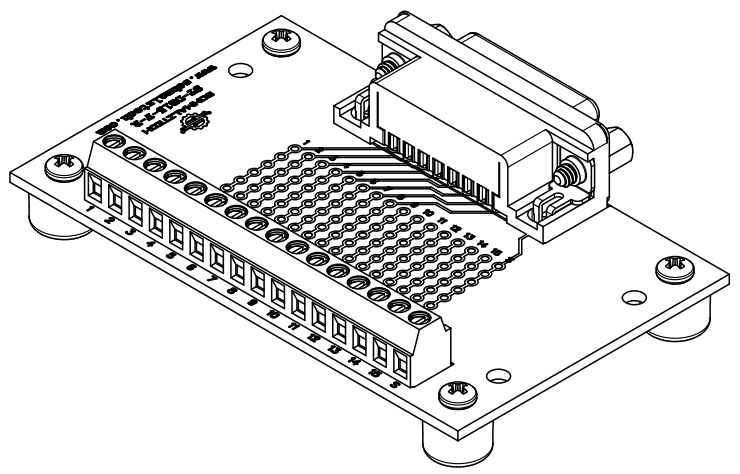
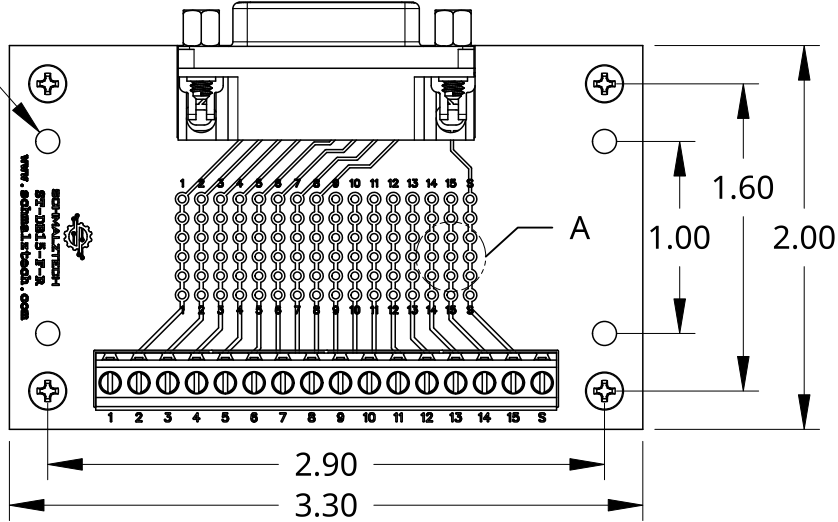
B

B

A

A

Ø.125



**SCHMALZTECH**

PHONE: (844) 399-9213  
 EMAIL: [sales@schmalztech.com](mailto:sales@schmalztech.com)  
 WEB: [www.schmalztech.com](http://www.schmalztech.com)

TITLE			
ST-DB15-F-R-FT			
DESCRIPTION			
DB15 FEMALE BREAKOUT BOARD W/ FEET			
SIZE	DWG NO.	REV.	
A	ST-DB15-F-R-FT	0	
UNITS	DATE	SHEET	
INCH	02/28/2025	1 of 1	

4

3

2

1