

4

3

2

1

D

D

C

C

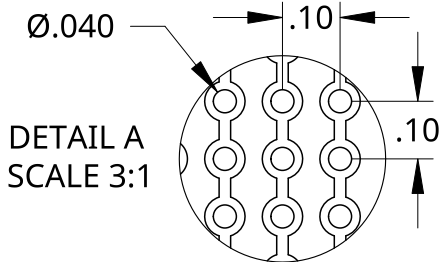
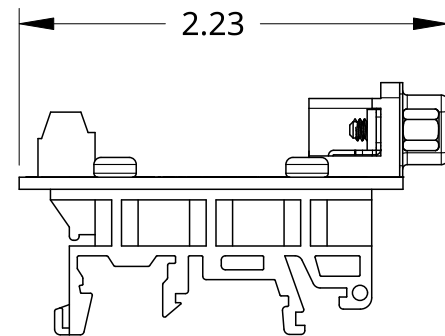
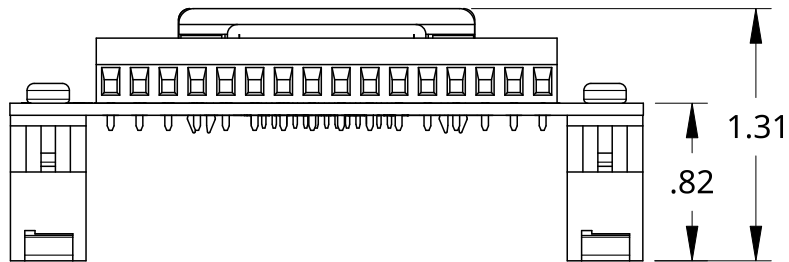
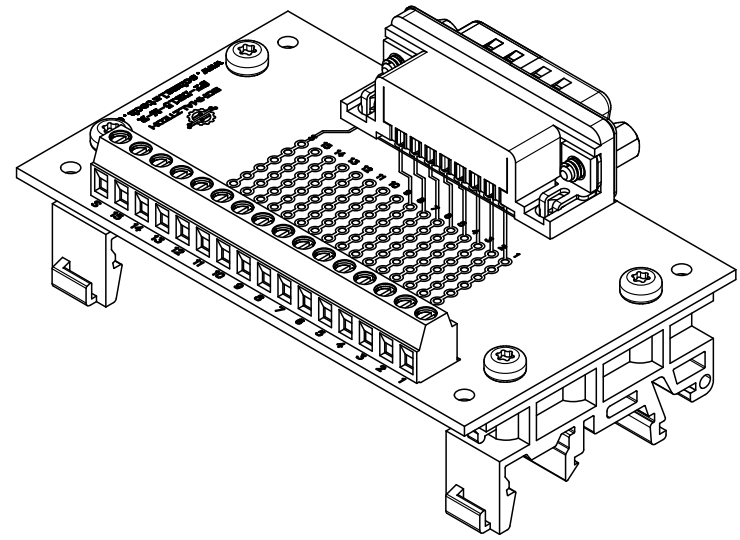
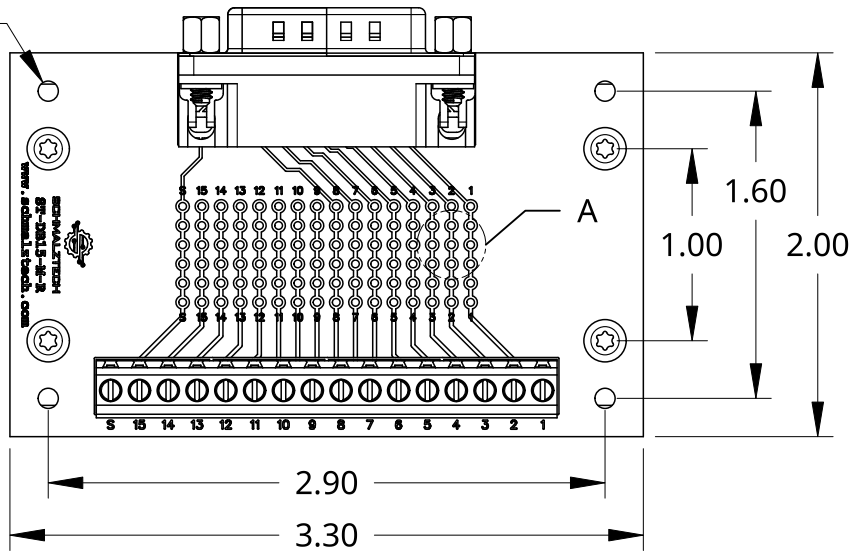
B

B

A

A

Ø.105



SCHMALZTECH

PHONE: (844) 399-9213
 EMAIL: sales@schmalztech.com
 WEB: www.schmalztech.com

TITLE			
ST-DB15-M-R-DIN			
DESCRIPTION			
DB15 MALE BREAKOUT BOARD W/ DIN CLIPS			
SIZE	DWG. NO.	REV.	
A	ST-DB15-M-R-DIN	0	
UNITS	DATE	SHEET	
INCH	02/28/2025	1 of 1	

4

3

2

1