

4

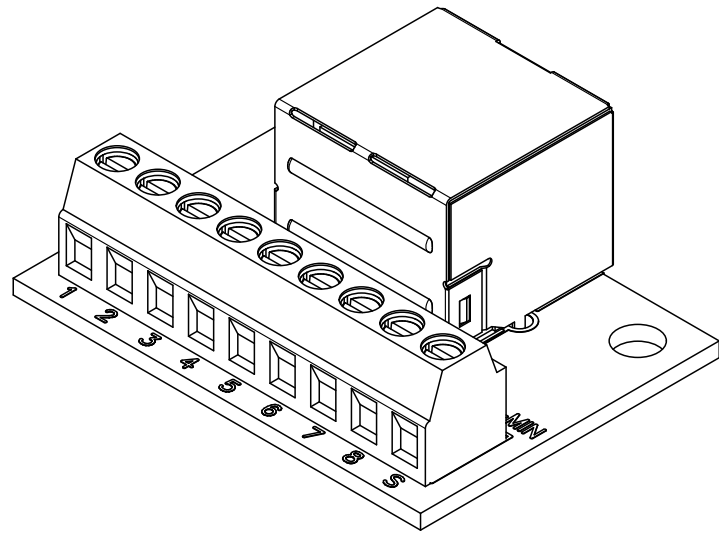
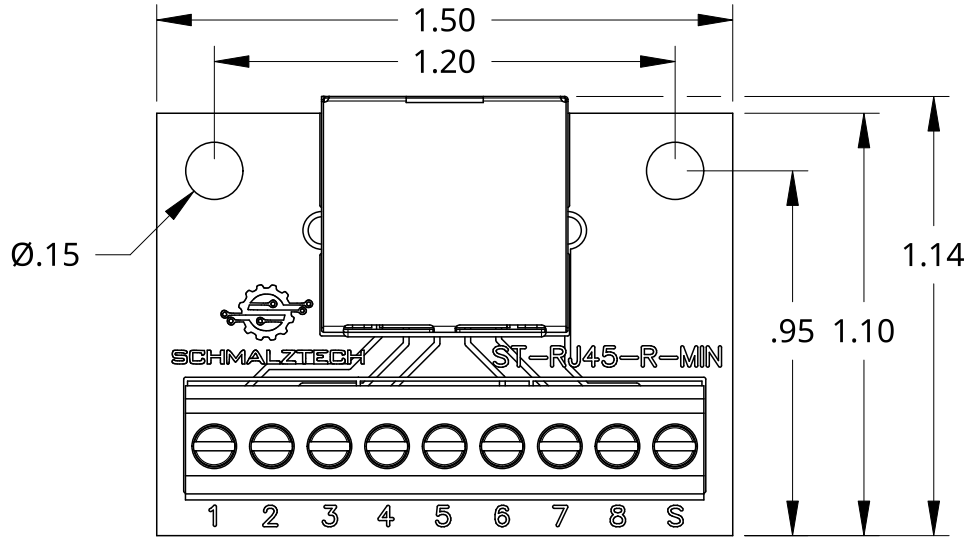
3

2

1

D

D

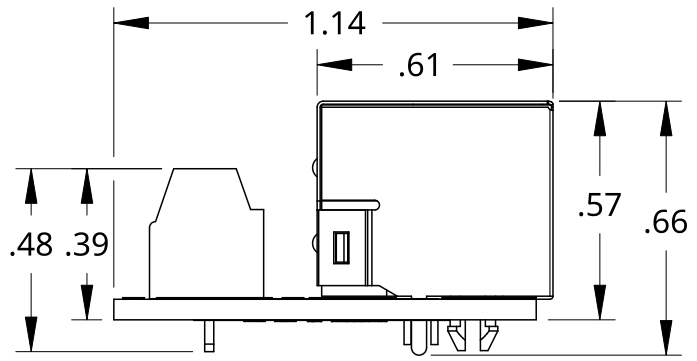
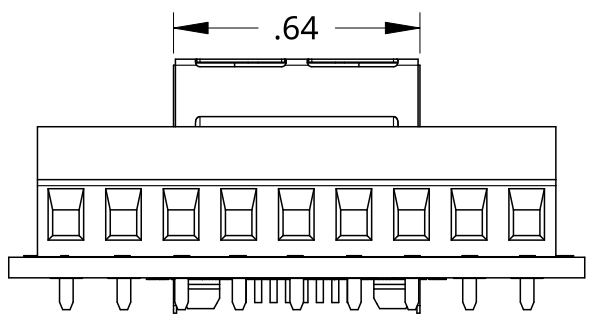


C

C

B

B



A

A

4

3

2

1



**SCHMALZTECH**

PHONE: (844) 399-9213  
 EMAIL: [sales@schmalztech.com](mailto:sales@schmalztech.com)  
 WEB: [www.schmalztech.com](http://www.schmalztech.com)

TITLE ST-RJ45-R-MIN			
DESCRIPTION RJ45 MINI BREAKOUT BOARD			
SIZE <b>A</b>	DWG. NO. ST-RJ45-R-MIN	REV. <b>1</b>	
UNITS INCH	DATE 05/23/2024	SHEET 1 of 1	